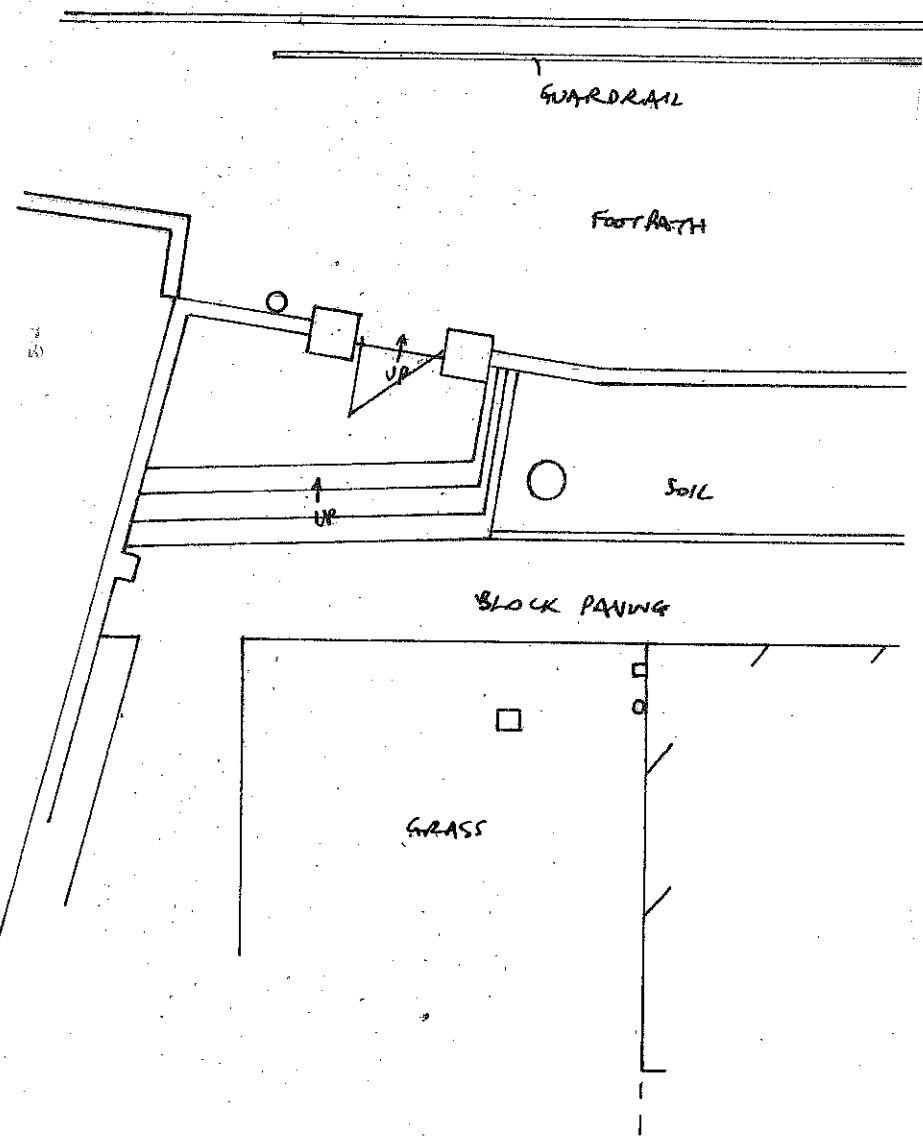
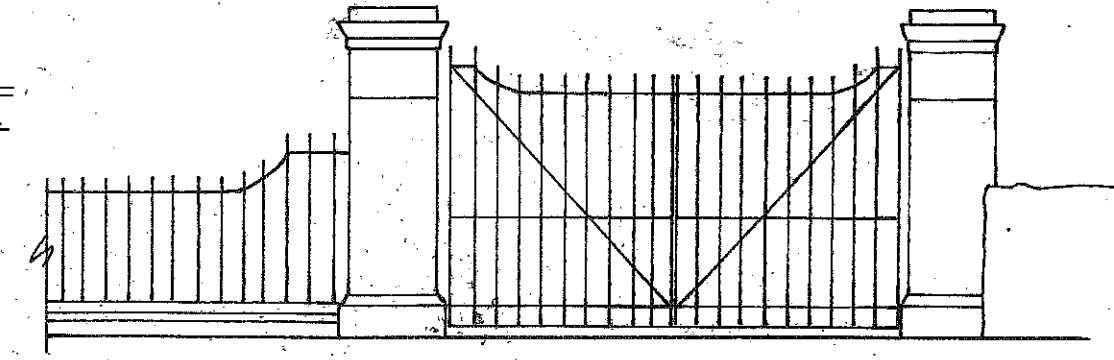
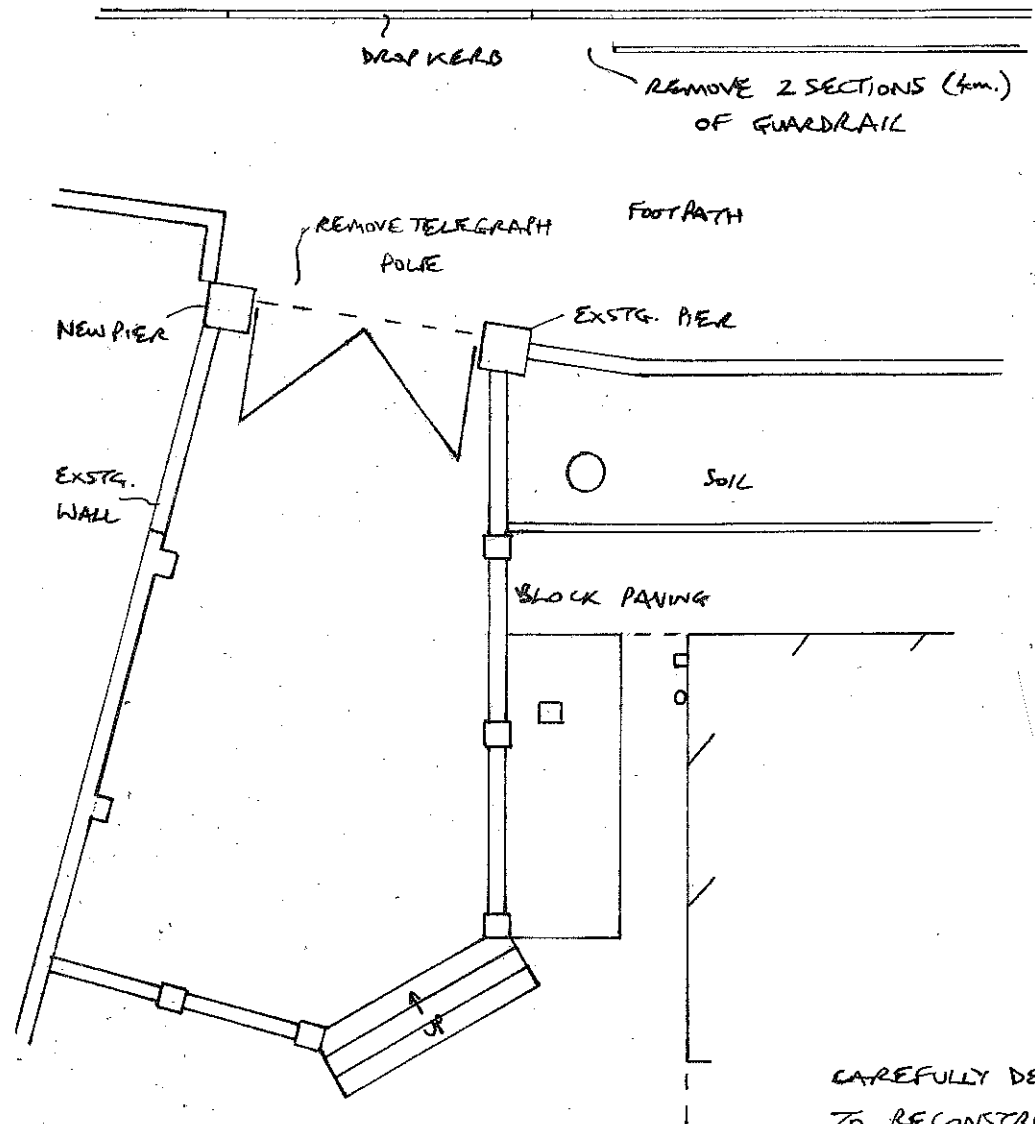


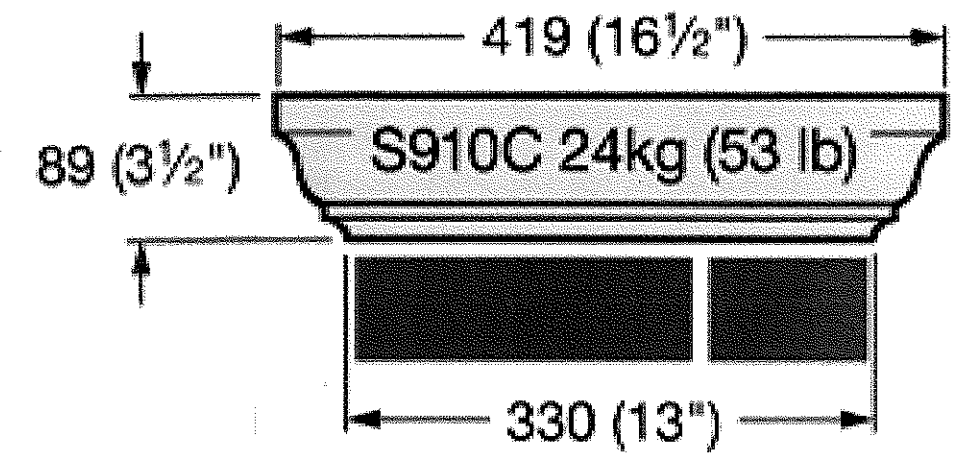
EXISTING PLAN 1:100



PROPOSED PLAN 1:100

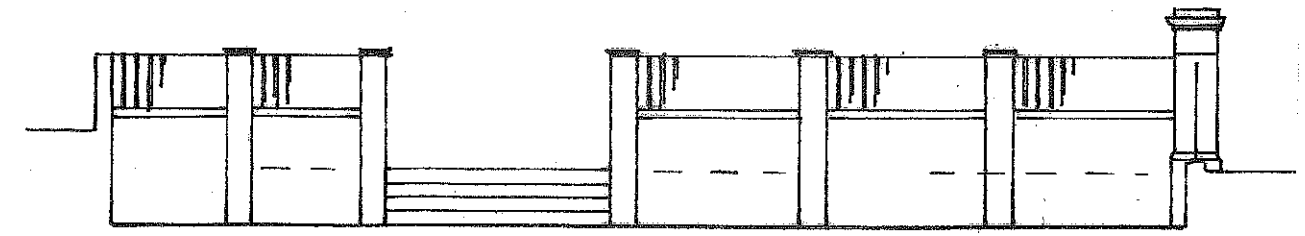
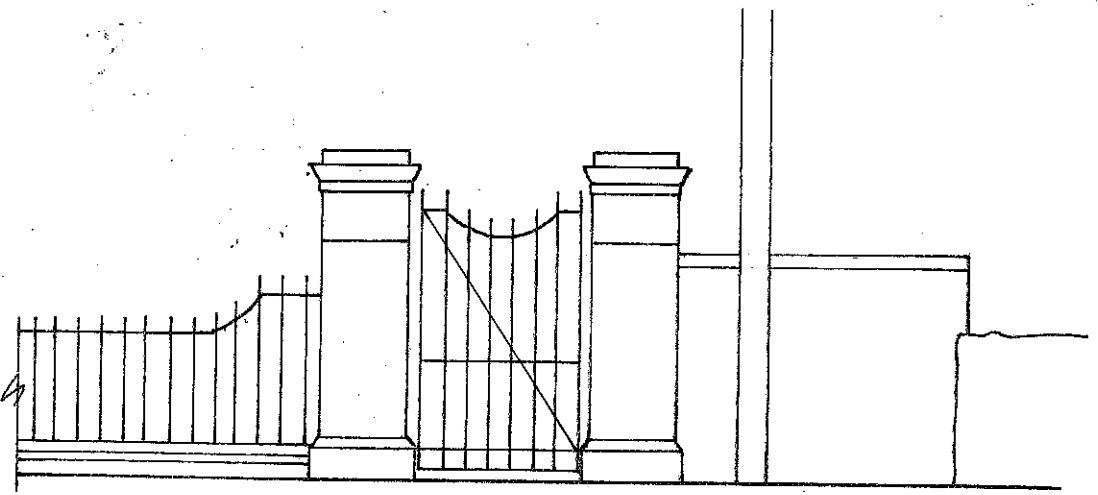


PROPOSED ELEVATION 1:50



CAREFULLY DEMOLISH EXISTING PIER AND SALVAGE BRICKS AND STONEMWORK TO RECONSTRUCT TO MATCH EXISTING. BLACK METAL GATES TO MATCH EXISTING GATE PATTERN. REUSE EXISTING BLOCK PAVERS AND TIMBER SLEEPERS TO FORM HARDSTANDING AND STEPS.
 BUILD 215mm BRICK RETAINING WALL WITH BRICK ON EDGE TO 750mm ABOVE SURFACE OF HARDSTAND. 325mm PIERS WITH ARTSTONE CAPS AND STAINED CLOSE BOARDED TIMBER FENCING BETWEEN. (HADDONSTONE S910C CAPS).

EXISTING ELEVATION 1:50



PROPOSED INTERNAL ELEVATION (FROM GARDEN) 1:100